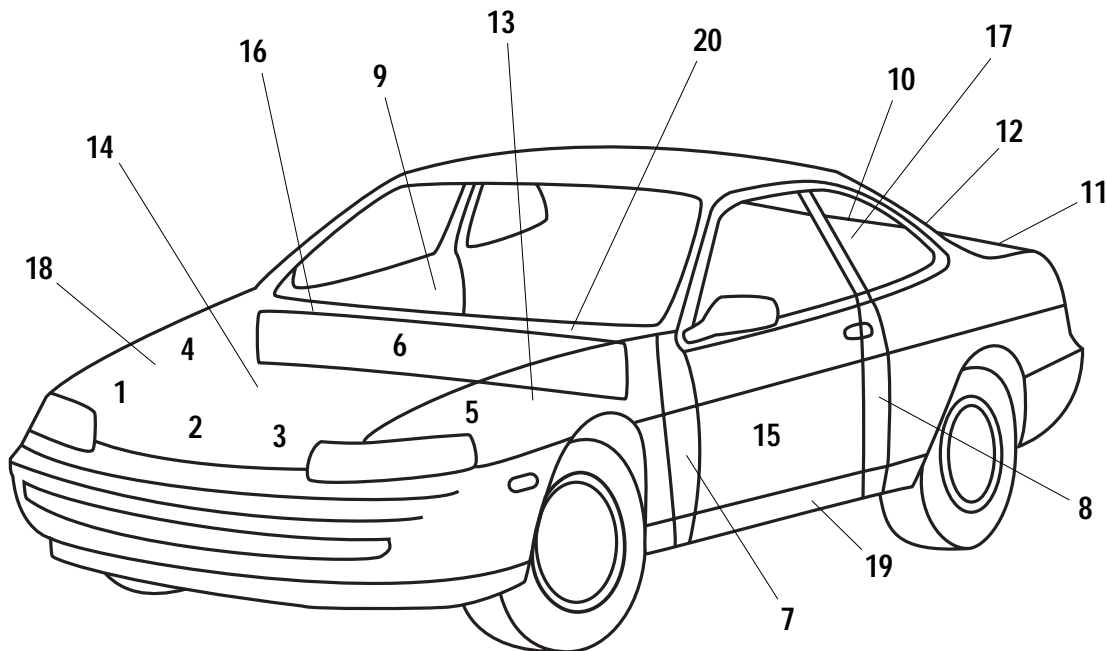




DuPont Automotive Finishes

## Car and Truck Identification Plate Locations



Model	Position	Model	Position	Key
Acura	6, 8	Isuzu	6	1 Front support—passenger side
Alfa Romeo	4, 8, 11	Jaguar	8	2 Radiator support—center
AMC	7, 8	Kia	7, 8	3 Front support—driver side
Audi	10, 11, 12	Land Rover	8	4 Wheel housing—passenger side
Austin Rover	8, 15	Lexus	8	5 Wheel housing—driver side
BMW	4, 5	Mazda	8	6 Firewall
Capri	8	Mercedes Benz	2	7 Door pillar—driver side
Chrysler		Mitsubishi	6	8 Door jamb—driver side
Car	1, 2, 6, 13, 18	Nissan	6, 8	9 Door jamb—passenger side
Imports	6, 10	Opel	1, 2, 3, 4, 5, 6	10 Deck lid—passenger side
Truck & Van	2, 6, 8, 14, 19, 20	Peugeot	2, 3, 4, 5, 6	11 Deck lid—driver side
Daihatsu	1, 6	Porsche	7	12 Inner rear compartment
Datsun	2, 6	Renault	2, 4, 5	13 Strut tower—driver side
Ferrari	10	Rover	1, 3, 4, 5,	14 Hood underside
Festiva	7, 8, 9	Saab	5, 6	15 Driver door panel pocket
Fiat	4, 6, 11	Saturn	11	16 Glove box
Ford	8	Sterling	7	17 Spare tire cover
General Motors	2, 10, 11, 12, 16, 17, 20	Subaru	13	18 Attached to battery tray
GMC	16	Suzuki	6	19 Body plate
Geo	10, 11	Toyota	8, 15	20 Cowl panel
Honda	8	Volkswagen	2, 9	
Hyundai	8	Volvo	5	
		Yugo	10	

H-19276  
E-R 2906

(05/02) 1